

# All aboard

Play system All aboard is free standing play element in the shape of a boat. The play system can be used as a standalone play element or combined with existing IKC products to create a fun play corner.

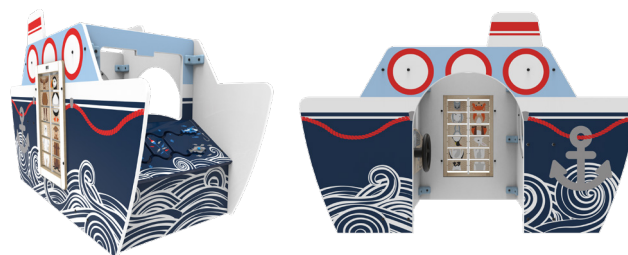
Can be combined with:  
 • 1 play module of choice

Price is incl. the play module.



Graphic colours Pantone no.

170C	485C	540C	543C	7543C	CG 1C	CG 9C
Black	White					



## Play system | All aboard

Article no.	Size HxWxD	Mounting	Age	KG	Icons
PP00709	120x183,50x79cm	free standing	3 - 12 years	65,6 KG	MDF, ABS, PP, Acrylic, Stainless steel



**TÜV SGS** All our products are inspected, tested and certified by SGS and TÜV.

**EN 71** European standard EN 71 specifies safety requirements for toys. Compliance with the standard is legally required for all toys sold in the European Union.

**FSC** All our products only use FSC certified wood, so eco- and environment friendly!

**CE** Our products are conform with health, safety and environmental protection standards for products sold within the EU.

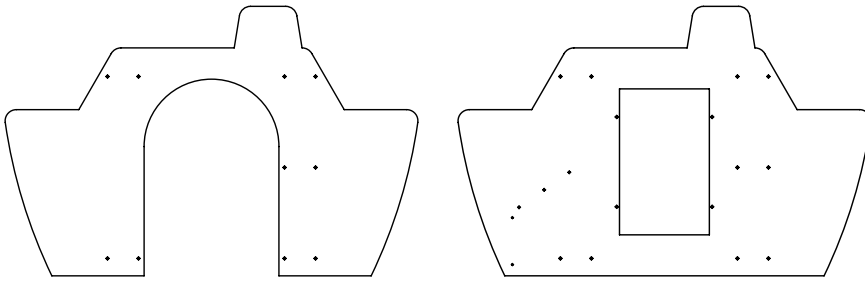
**IKC | HQ EUROPE**  
**Dronten | The Netherlands**  
 +31 (0)321 38 77 30  
 sales@ikcplay.com  
 www.ikcplay.com

**IKC | HQ ASIA**  
**Shanghai | China**  
 +86 (0)573 82 58 61 83  
 sales.cn@ikcplay.com  
 www.ikcplay.com.cn

Side panels

PP1

PP2

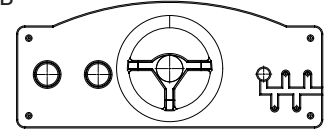


Required tools



Dashboard

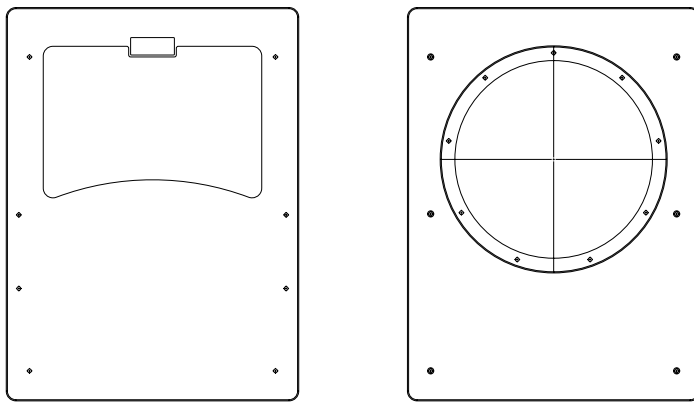
DB



Front and back panels

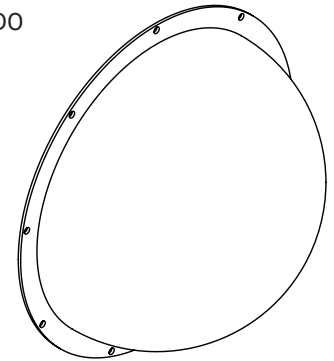
FP

BP



Dome

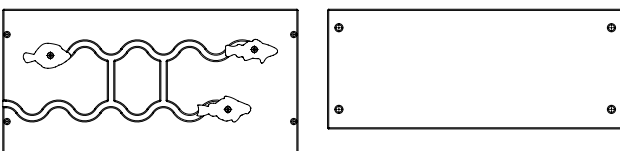
DO



Hood panels

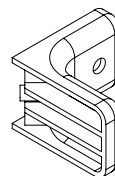
HP1

HP2



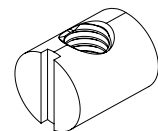
Corner piece 20x

CP



Connector 4x

ACP



Screws

S13

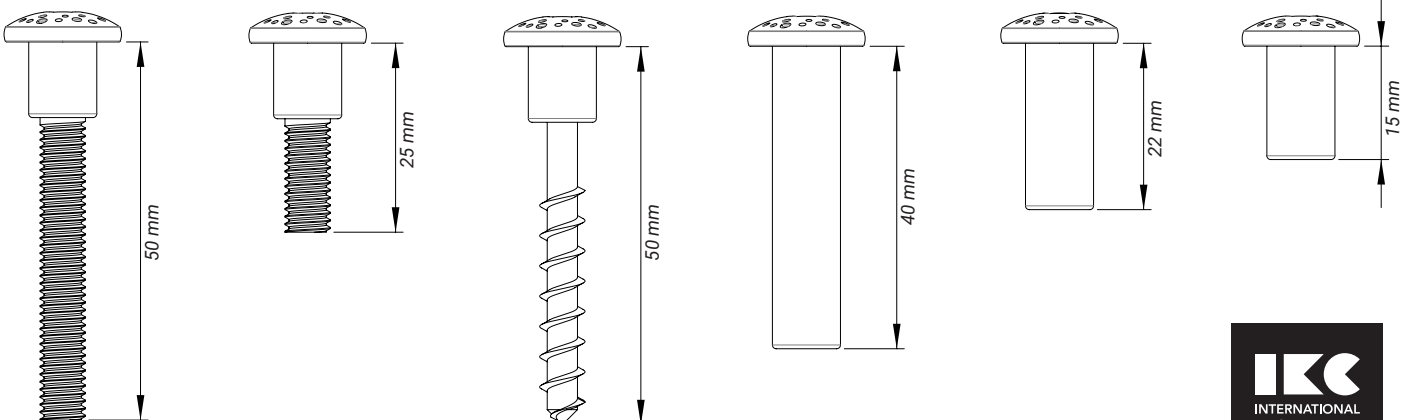
S5

S14

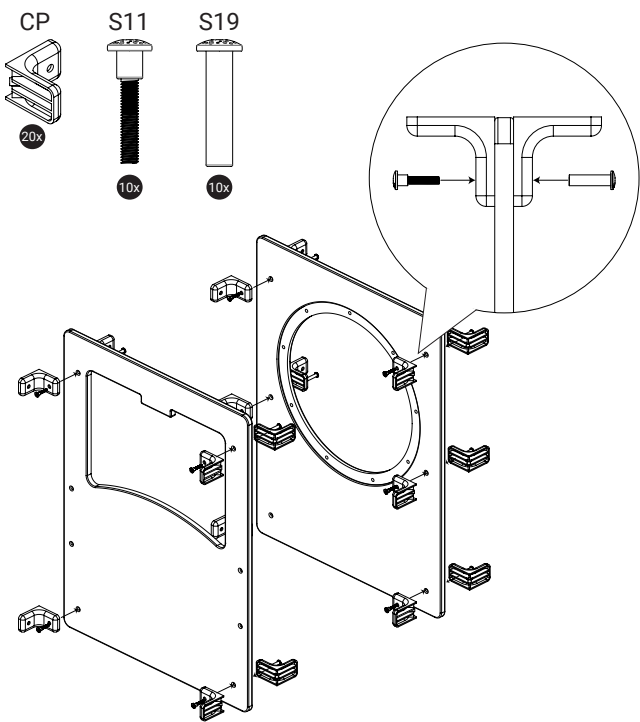
S19

S18

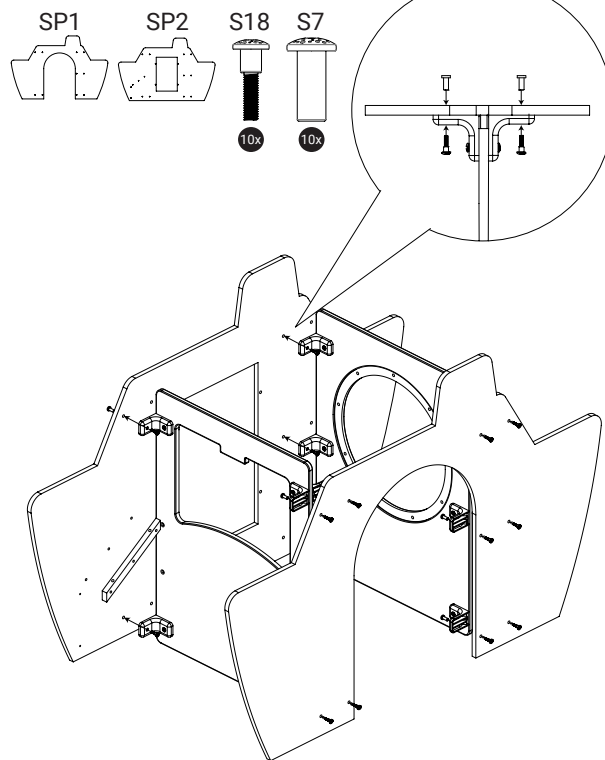
S17



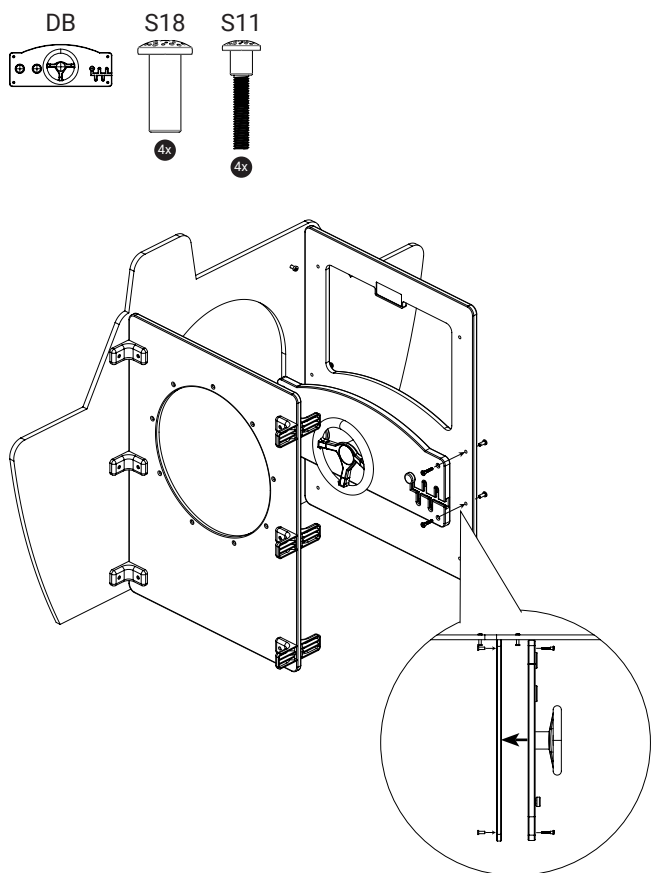
1.1 Install the front and back panels



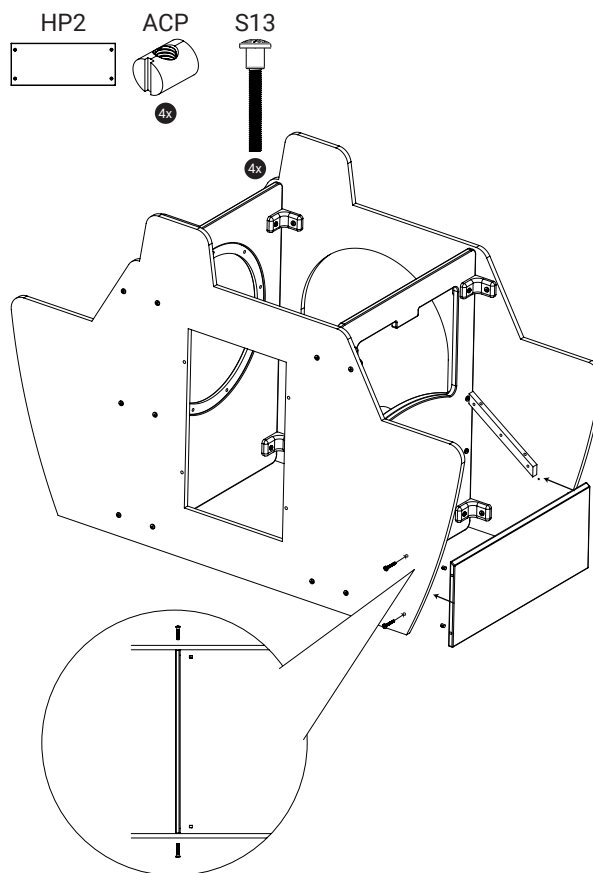
1.2 Install the side panels



1.3 Install the dashboard



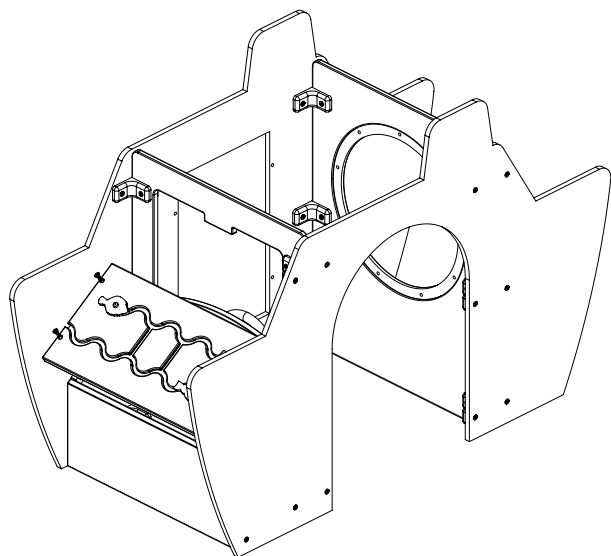
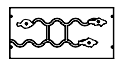
1.4 Install the hood panel HP2



1.5 Install the hood panel HP1

HP1

S7

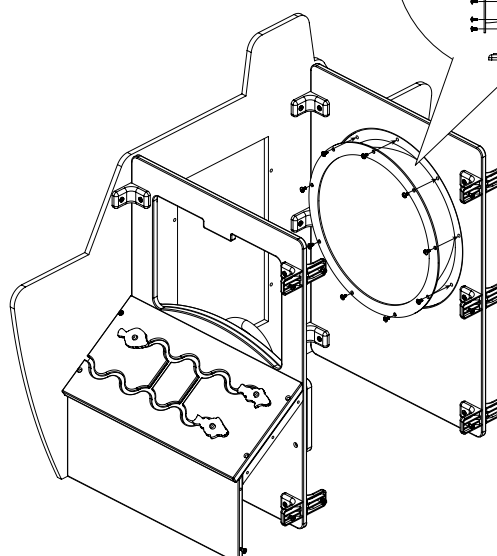
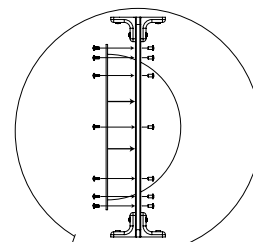


1.6 Install the dome

D0

S2

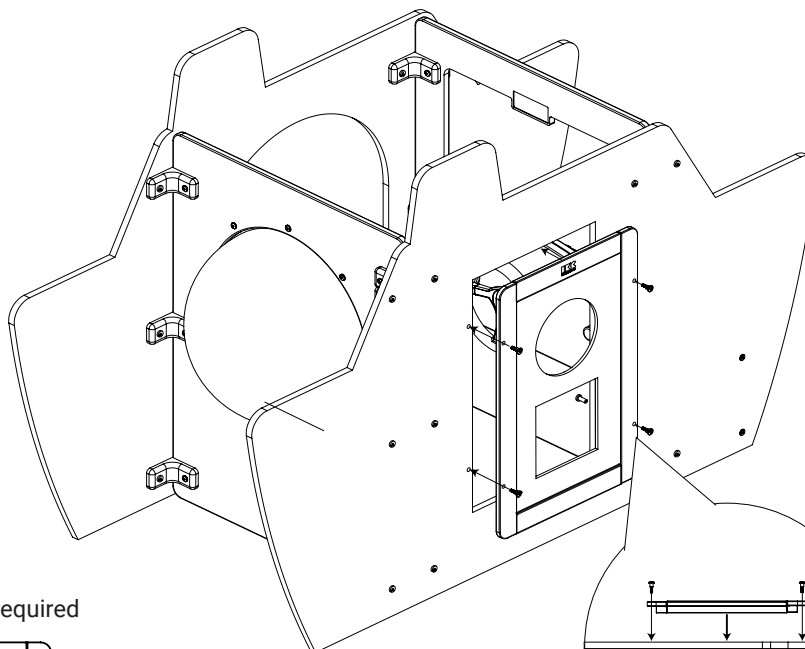
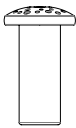
S17



1.7 Install play module

S5

S18



A playmodule is required

